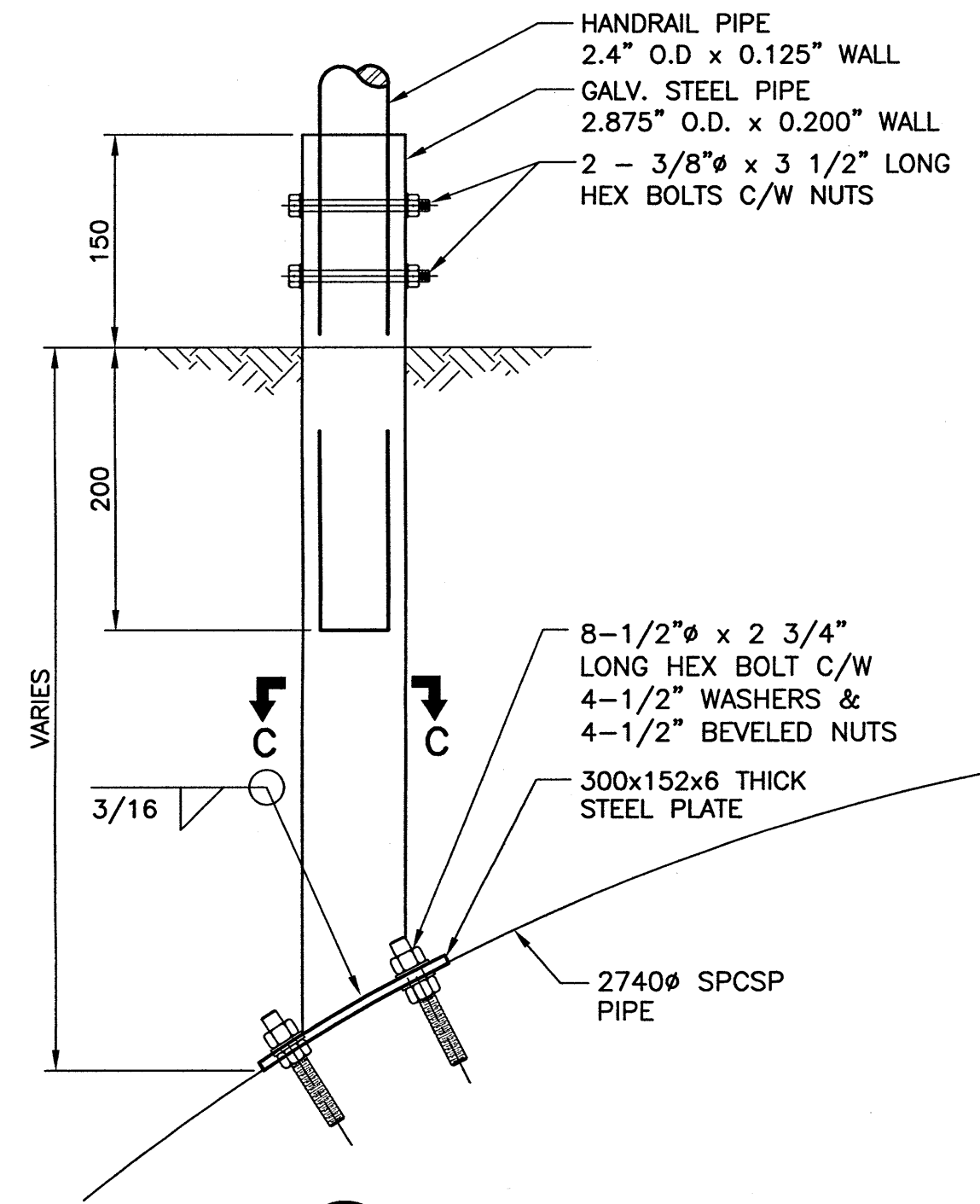
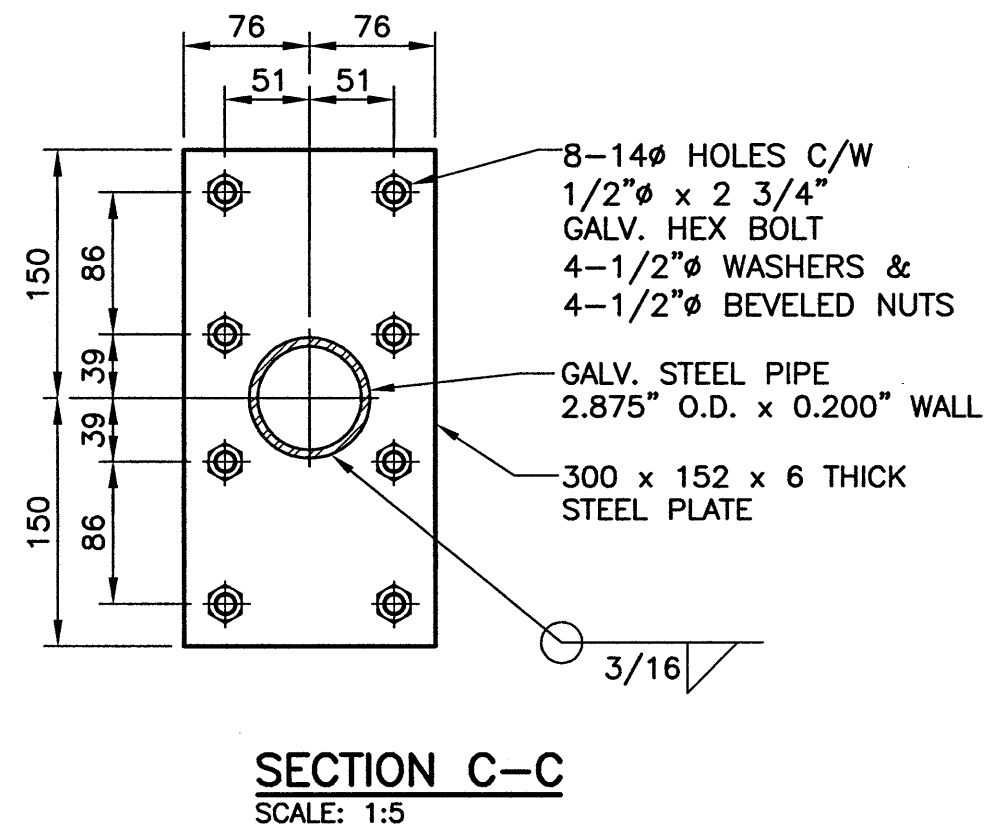


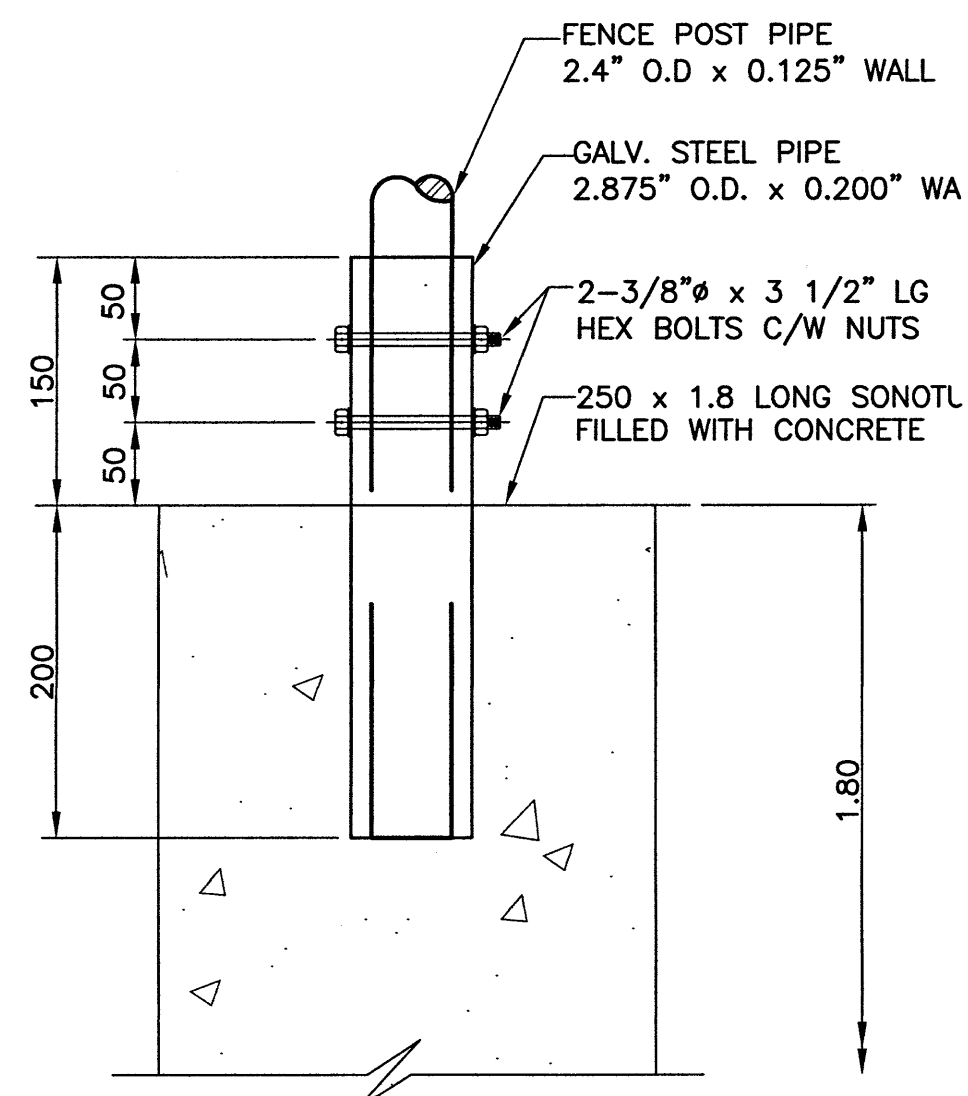
Filename: P:\Projects\2011\11-0107-18\Dwg\Mun\C3 - Pond\11-0107-18_POND.dwg - Tab: C313 Plotted By: Gloewen 17/07/12 [Wed 10:50am]



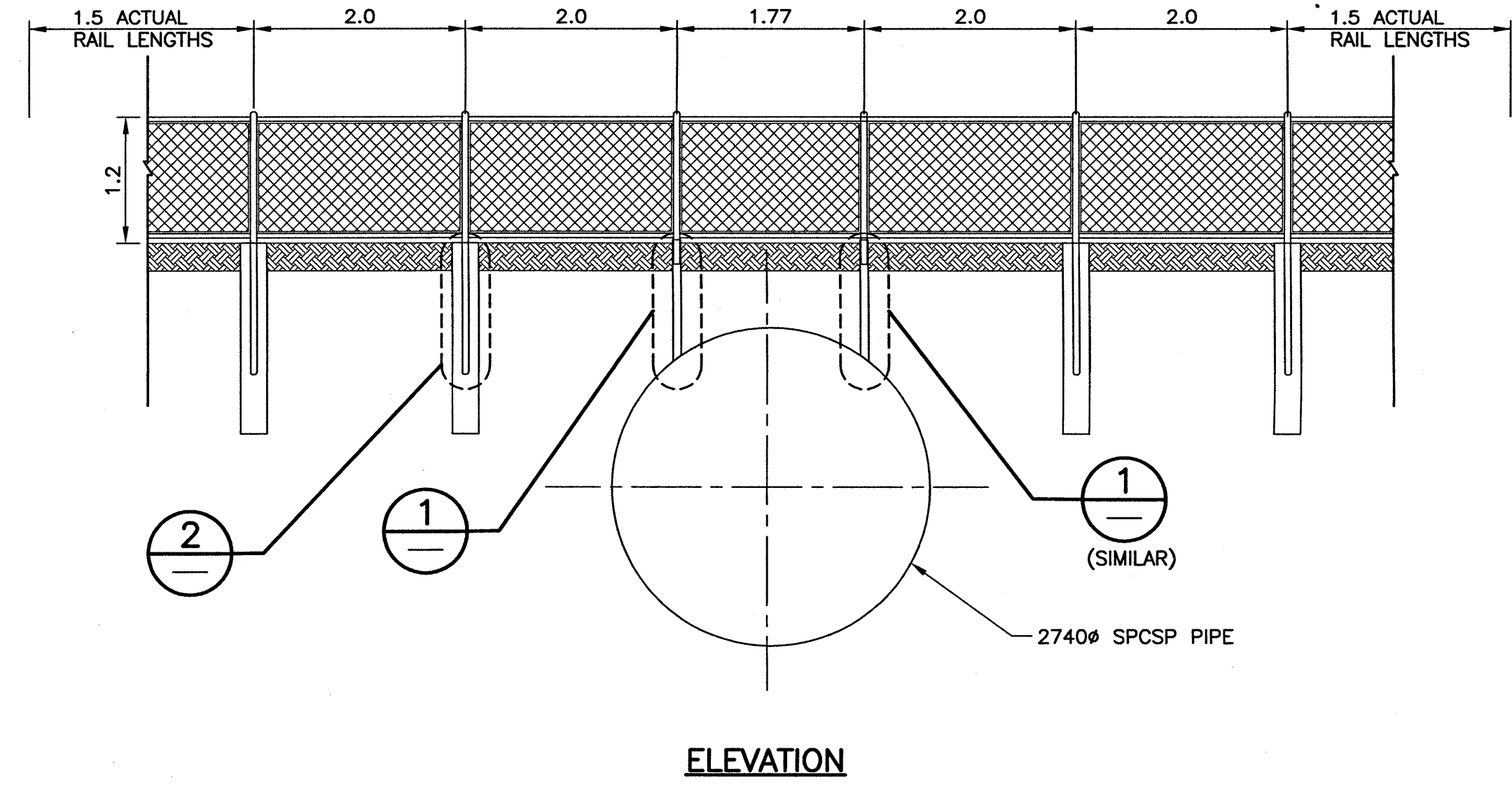
1 DETAIL
SCALE: 1:5



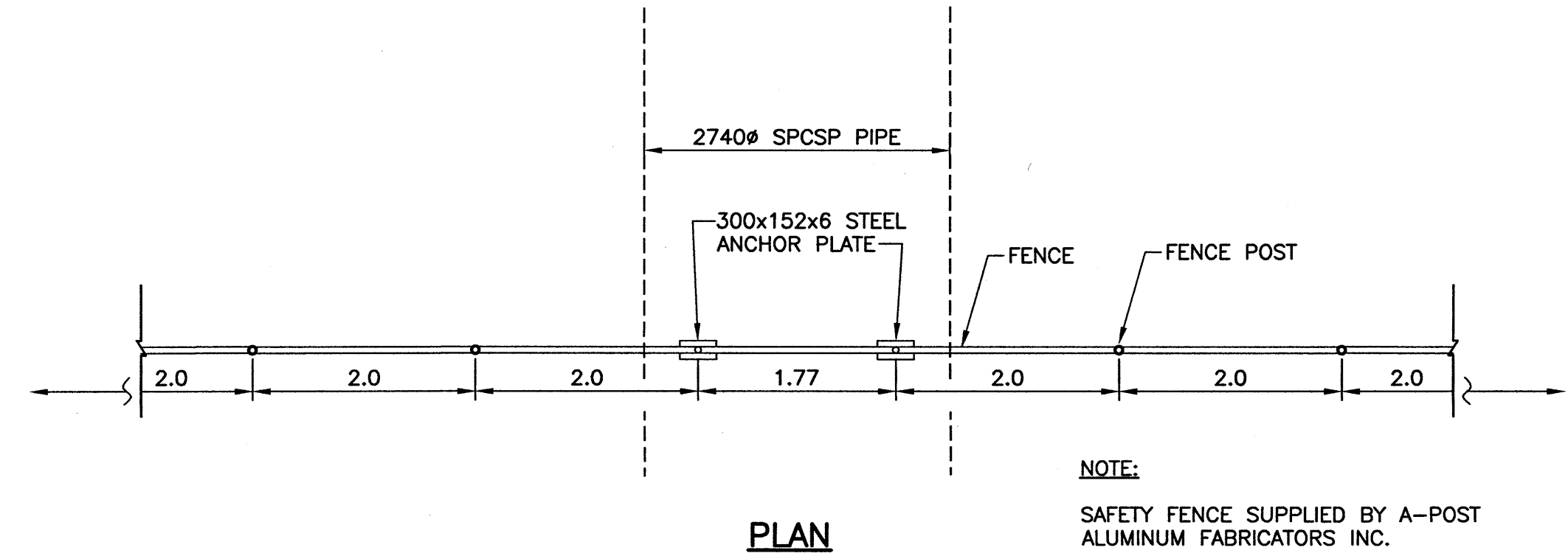
SECTION C-C
SCALE: 1:5



2 DETAIL
SCALE: 1:5

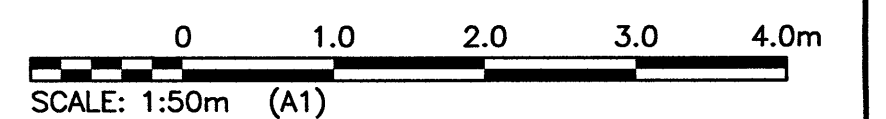
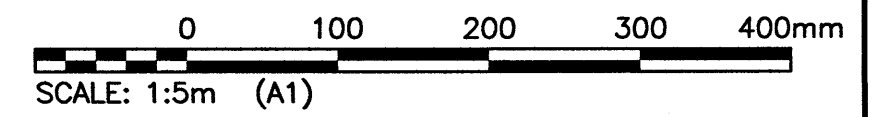


ELEVATION



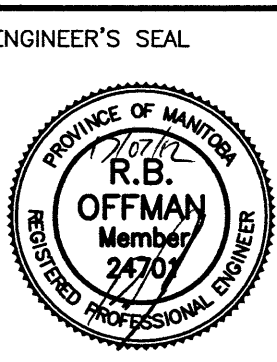
PLAN

SAFETY FENCE DETAIL
SCALE: 1:50



METRIC
WHOLE NUMBERS INDICATE MILLIMETRES
DECIMALIZED NUMBERS INDICATE METRES

APEGM
Certificate of Authorization
KGS Group
No. 245



THE CITY OF WINNIPEG WATER AND WASTE DEPARTMENT

PROJECT TITLE
COCKBURN/CALROSSIE COMBINED SEWER RELIEF WORKS - CONTRACT 3

STORMWATER RETENTION BASIN
TYPICAL SECTIONS & DETAILS SAFETY FENCING

CONSULTANT DRAWING NO.
11-0107-18_C313

SHEET OF
1 OF 1
COMPUTER FILE NAME
11-0107-18_POND
CITY DRAWING NUMBER
LD-8224

LOCATION APPROVED UNDERGROUND STRUCTURES SUPV. U/G STRUCTURES COMMITTEE DATE NOTE: LOCATION OF UNDERGROUND STRUCTURES AS SHOWN ARE BASED ON THE BEST INFORMATION AVAILABLE BUT NO GUARANTEE IS GIVEN THAT THE GIVEN LOCATIONS ARE EXACT. CONFIRMATION OF EXISTENCE AND EXACT LOCATION OF ALL SERVICES MUST BE OBTAINED FROM THE INDIVIDUAL UTILITIES BEFORE PROCEEDING WITH CONSTRUCTION.		B.M. KGS BASE ELEV. ALL DATA PROVIDED IS IN UTM ZONE 14, NAD83, CSRS, CGVD28	KGS GROUP CONSULTING ENGINEERS DESIGNED BY JMM CHECKED BY RBO DRAWN BY GEL APPROVED BY RBO HOR. SCALE: AS NOTED VERTICAL: AS NOTED RELEASED FOR CONSTRUCTION: RBO DATE 7-17-12	0 ISSUED FOR CONSTRUCTION 17/07/12 RBO NO. REVISIONS DATE BY DATE 16/06/10
---	--	---	--	---